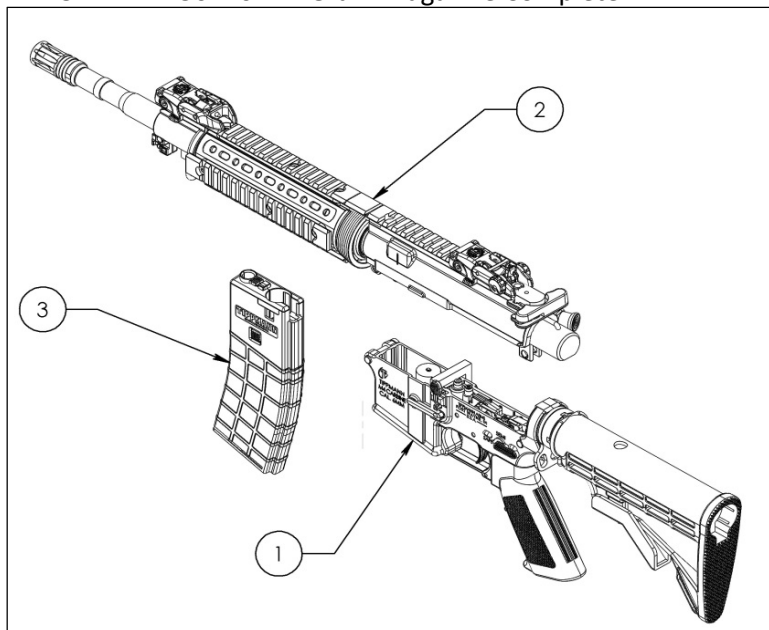


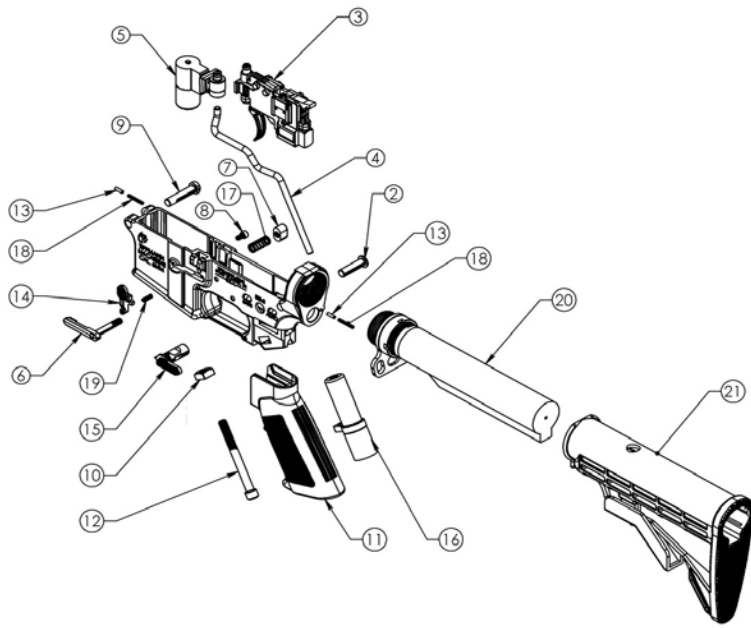
ITEM	PART NO.	DESCRIPTION	QTY
1	TA50221	Lower Receiver Assembly	1
2	TA50222	Upper Receiver Assembly	1
3	TA50216	12 Gram Magazine Complete	1



WARNING

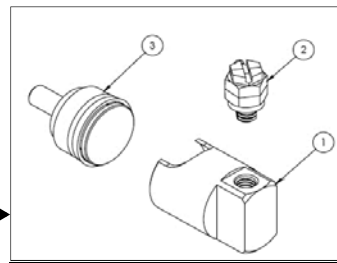
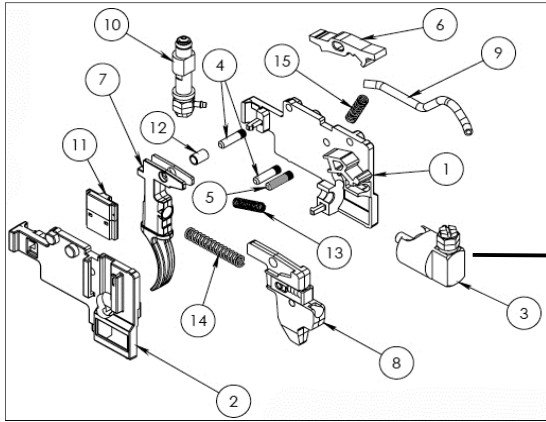
Do not disassemble this M4 Carbine while it is pressurized with air/CO2. Do not pressurize a partially assembled air gun.

ITEM	PART NO.	LOWER RECEIVER ASSEMBLY	QTY
1	TA50001	Lower Receiver	1
2	TA50077	Take Down Pin	1
3	TA50215	Trigger Group Complete	1
4	TA50009	Air Line, Main	1
5	TA50229	Puncture Valve with Locking Tab and Fitting	1
6	TA50038	Magazine Catch	1
7	TA50039	Magazine Latch Button	1
8	TA50095	SHCS #6-32 X 1/4"	1
9	TA50078	Pivot Pin	1
10	PL-42D	Nut, Square 1/4-20	1
11	TA50003	Grip	1
12	TA50048	SHCS - 1/4-20 UNC X 2.5"	1
13	TA50029	Pin Detent	2
14	TA50034	Bolt Catch	1
15	TA50004	Safety	1
16	TA50232	Lower Gas Line Connector Complete	1
17	TA50122	Spring, Comp., 1.156" F.L., X 0.297" O.D.	1
18	TA50128	Spring, Comp., 0.750" FL X 0.0.84" OD	2
19	TA50143	SPRING, COMP., 0.120" O.D., X 0.375" F.L.	1
20	TA50219	Collapsible Stock Tube Complete	1
21	TA50220	Collapsible Butt Stock Complete	1



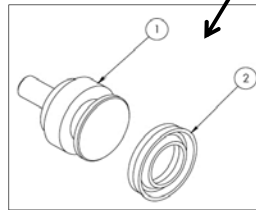
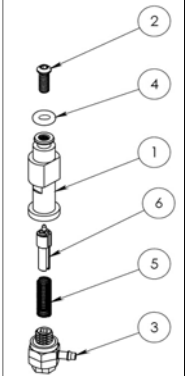
WARNING
Do not disassemble this M4 Carbine while it is pressurized with air/CO2. Do not pressurize a partially assembled air gun.

ITEM	PART NO.	TRIGGER GROUP ASSEMBLY	QTY
1	TA50082	Trigger Plate, Right	1
2	TA50081	Trigger Plate, Left	1
3	TA50214	Response Cylinder Assembly	1
4	02-33	Dowel Pin, 1/8 x 1/2, Knurled	3
5	02-33A	Dowel Pin, Black	1
6	02-35	Sear	1
7	TA50079	Front Trigger	1
8	TA50226	Rear Trigger Complete	1
9	TA50076	Response Gas Line, 5/64" ID x 1/8" OD	1
10	TA50212	Flow Control Complete	1
11	TA50211	Safety Detent Complete	1
12	TA50148	Trigger Bushing	1
13	02-88	Spring, Comp., 0.600" FL x 0.161" OD	1
14	TA01068	Spring, Comp., 1.174" FL x 0.188" OD	1
15	02-20	Spring, Comp., 0.600" FL x 0.172" OD	1



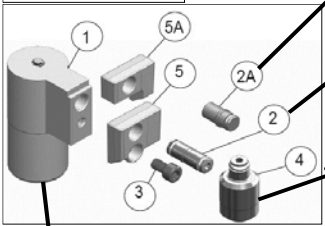
ITEM	PART NO.	RESPONSE CYLINDER ASSY COMPLETE	QTY
1	TA50074	Response Cylinder	1
2	20-07	Banjo Fitting Assy - Cast	1
3	TA50213	Response Piston Complete	1

ITEM	PART NO.	FLOW CONTROL ASSEMBLY	QTY
1	TA50071	Flow Control Body	1
2	TA50073	#4-48 x 5/16" Set Screw with Vent	1
3	20-07	Banjo Fitting Assembly	1
4	TA20049	O-Ring, 2-006	1
5	TA20097	Spring	1
6	TA50072	Flow Control Machined Pin	1



ITEM	PART NO.	RESPONSE CYLINDER PISTON ASSY	QTY
1	TA50075	Response Piston	1
2	TA01088	3/8" I.D. X 5/8" O.D. X 1/8" C.S. U-Cup Seal	1

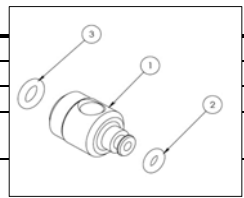
ITEM	PART NO.	PUNCTURE VALVE ASSY	QTY
1	TA50217	Puncture Valve Complete	1
2	TA50225	Puncture Valve Gas Line Complete	1
2A	TA50236	Fitting Plug Complete (for Remote Line or ASA use only)	1
3	TA50095	Screw, SHCS, #6-32 x 1/4"	1
4	TA50228	Input Fitting, Dual Feed, Complete	1
5	TA50091	Locking Tab	1
5A	TA50141	Fitting Plug Locking Tab (for Remote Line or ASA use only)	1



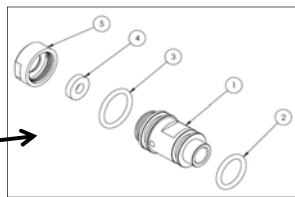
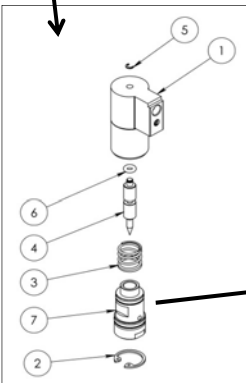
ITEM	PART NO.	Fitting Plug Complete	QTY
1	TA50138	Fitting Plug	1
2	TA20096	0.150" I.D. X 0.037" C.S., O-RING, C.U., 70A	1

ITEM	PART NO.	Puncture Valve Gas Line Complete	QTY
1	TA50135	Puncture Valve Gas Line	1
2	TA20096	0.150" I.D. X 0.037" C.S., O-RING, C.U., 70A	2

ITEM	PART NO.	Input Fitting Dual Feed - Complete	QTY
1	TA50105	INPUT FITTING- DUAL FEED	1
2	TA20049	O-RING, C.U., 70A, 2-006	1
3	TA30049	O-RING, 2-008	1

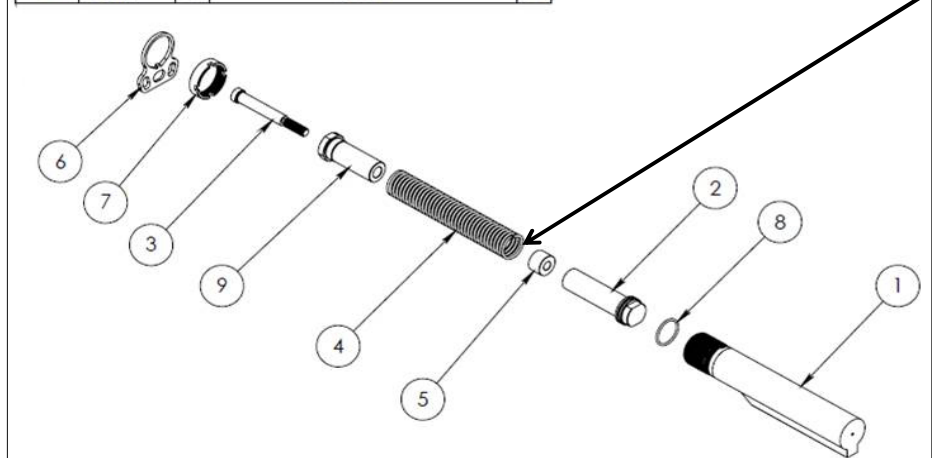


ITEM	PART NO.	PUNCTURE VALVE BODY	QTY
1	TA50087	Puncture Valve Body	1
2	TA50094	9/16" Internal Retaining Ring	1
3	TA50134	Spring	1
4	TA50090	Puncture Pin	1
5	TA50024	C-Clip	1
6	TA20049	O-ring, CU, 70A, 2-006	1
7	TA50227	Puncture Piston Complete	1



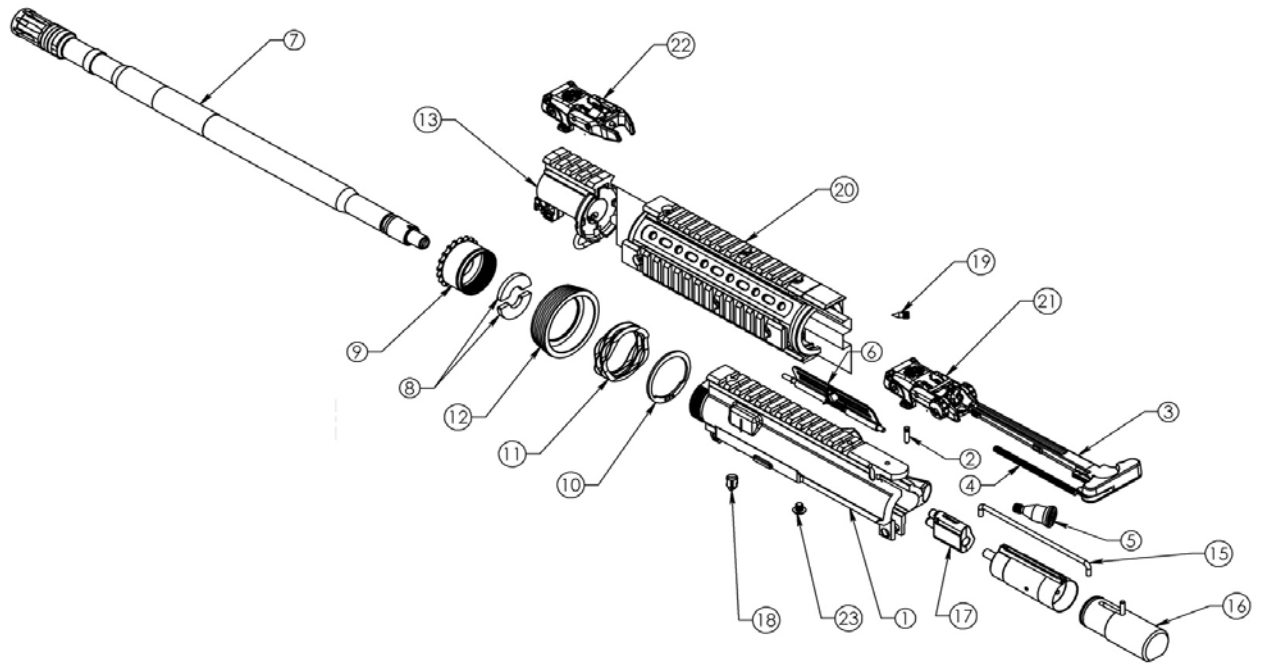
ITEM	PART NO.	PUNCTURE PISTON	QTY
1	TA50088	Puncture Valve Piston	1
2	TA35055	O-RING C.U., 70A, 2-013	1
3	TA20041	O-RING, C.U., 70A, 2-014	1
4	TA20034	12 GRAM PUNCTURE SEAL	1
5	TA50089	PISTON SEAL RETAINER	1

ITEM NO.	PART NUMBER	DESCRIPTION	QTY.
1	TA50119	BUFFER TUBE	1
2	TA50130	BUFFER REAR STOP	1
3	TA50129	BUFFER GUIDE SHAFT	1
4	TA50010	SPRING, COMP., 7.375" F.L., 0.938" O.D.	1
5	TA50131	BUFFER GUIDE SPACER	1
6	TA50113	BUFFER TUBE LOCK SPACER	1
7	TA50114	BUFFER TUBE NUT	1
8	TA50136	O-RING, BUNA, 70A, 2-020	1
9	TA50103	BUFFER	1

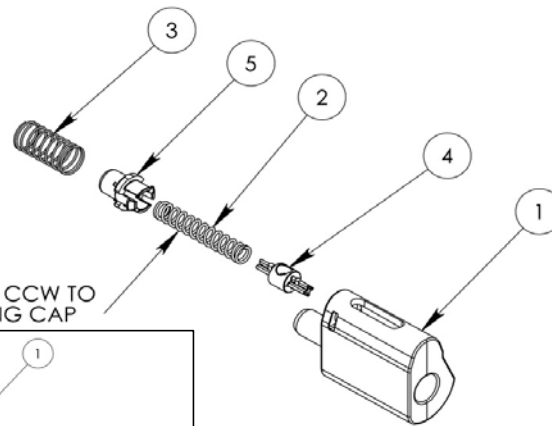


TA50154 - Remove stock tube and buffer assembly.
Insert spacer between item #5 and 9)
Re-assembly buffer assembly and stock tube

ITEM	PART NO.	DESCRIPTION	QTY
1	TA50002	Upper Receiver	1
2	02-33A	Dowel Pin, Black	1
3	TA50207	Charging Handle Assembly	1
4	TA50112	Spring, Comp. 3.43" FL x 0.170" OD	1
5	TA50106	Forward Assist Button	1
6	TA50209	Ejection Port Cover Assembly	1
	TA50231	Door Assembly (not shown)	1
	TA50025	Torsion Spring (not shown)	1
	TA50023	Pin (not shown)	1
	TA50024	C-Clip (not shown)	1
7	TA50223	Barrel Assembly	1
8	TA50031	Barrel Washer, Split	2
9	TA50030	Barrel Nut	1
10	TA50043	Snap Ring, Hand Guard	1
11	TA50044	Wave Spring	1
12	TA50042	Delta Ring	1
13	TA50203	Front Sight Mount, Complete	1
14	TA50205	Valve Assembly with Power Tube	1
15	TA50017	Linkage Arm	1
16	TA50204	Rear Bolt Complete	1
17	TA50224	Front Bolt Assembly	1
18	TA50110	Adjusting Block, HU	1
19	TA50033	Set Screw, #10-32 UNF Tapered Point	1
20	TA50233	Modular PIC Rail Handguard	1
21	TA50235	Rear Flip Up Sight	1
22	TA50234	Front Flip Up Sight	1
23	TA50139	Screw, #10-32 x 3/16" BHSCS	1



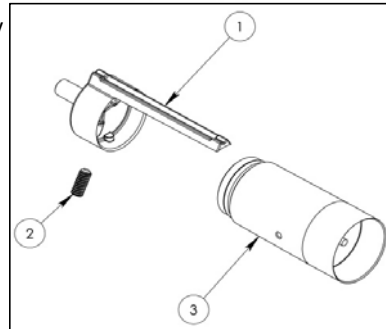
Item	Part No.	Front Bolt Assy Description	Qty
1	TA50120	Front Bolt	1
2	TA50147	Spring	1
3	TA50146	Spring	1
4	TA50116	Spring Keeper	1
5	TA50121	Front Bolt Spring Cap	1



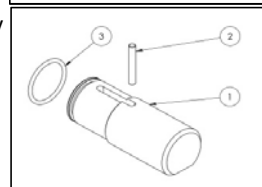
WARNING

Do not disassemble this M4 Carbine while it is pressurized with air/CO2. Do not pressurize a partially assembled air gun.

Item	Part No.	Power Tube Assy Description	Qty
1	TA50011	Power Tube	1
2	TA50037	Set Screw, 8-32 x 3/8"	1
3	TA50210	Valve Assembly Complete	1



Item	Part No.	Rear Bolt Assy Description	Qty
1	TA50016	Rear Bolt	1
2	TA20063	Pivot Pin	1
3	98-12A	O-Ring, CU, 90A, 2-019	1



Item	Part No.	Barrel Assy Description	Qty
1	TA50006	Barrel	1
2	TA50111	Barrel Insert	1
3	TA50014	Ball Latch	1
4	TA50032	Flash Suppressor	1
5	TA50117	Clamp, Hop Up Top	1
6	TA50118	Clamp, Hop Up Bottom	1
7	TA50133	#8-32 x 3/16" Set Screw Cup Point	1
8	TA50050	Front Sight Clamp Bolt	2
9	TA50049	Front Sight Clamp	2
10	TA50045	Front Sight Base	1
11	4-PA	Sling Swivel	1

